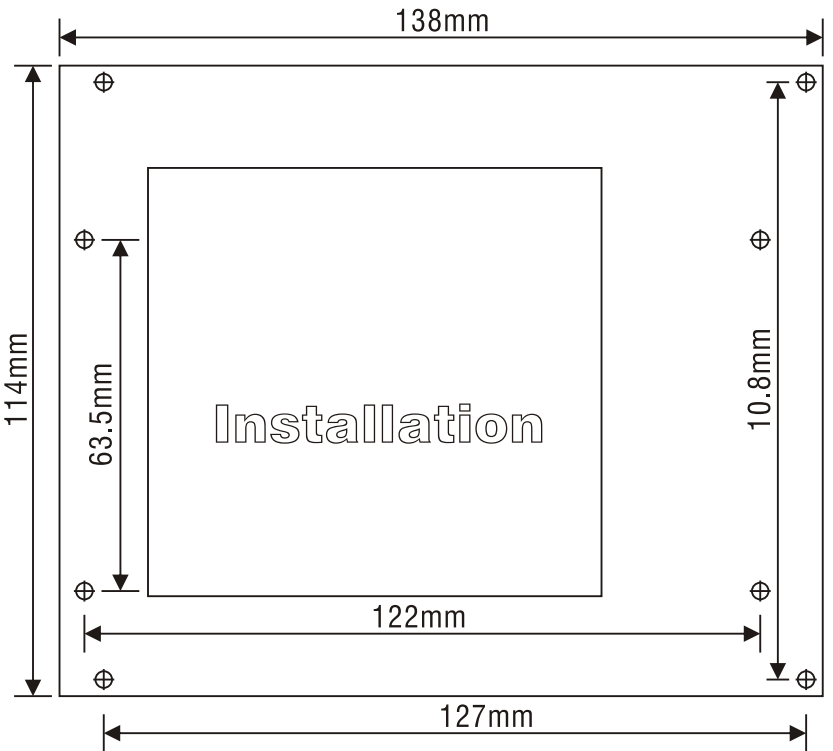


A. Package content

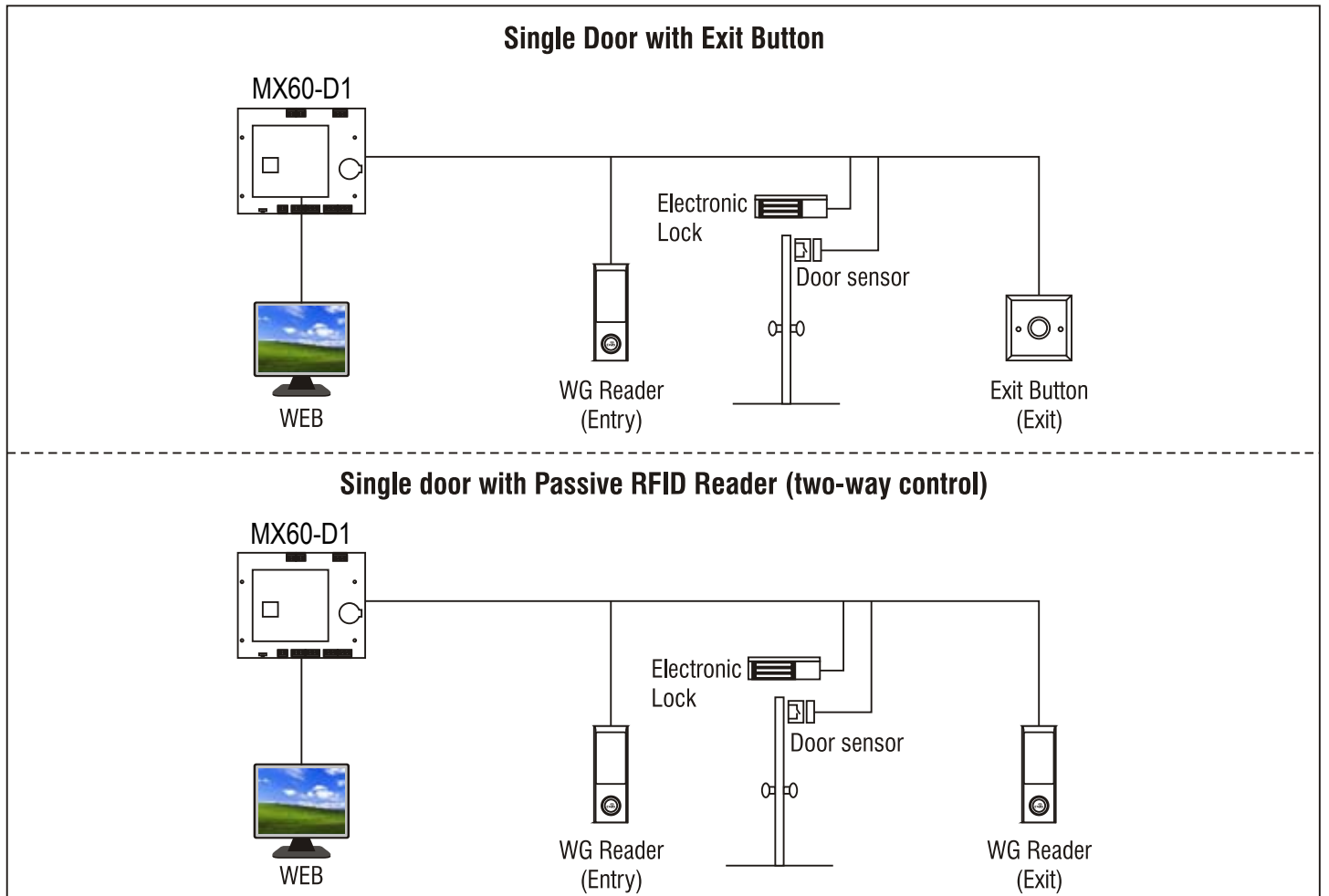
- Controller X 1, CD x 1, Warranty card X 1, Installation Guide X 1
- Accessory kit X 1(Screw X 4, Spacer X 4, 1N4004 X 1), Wiring sticker x 1

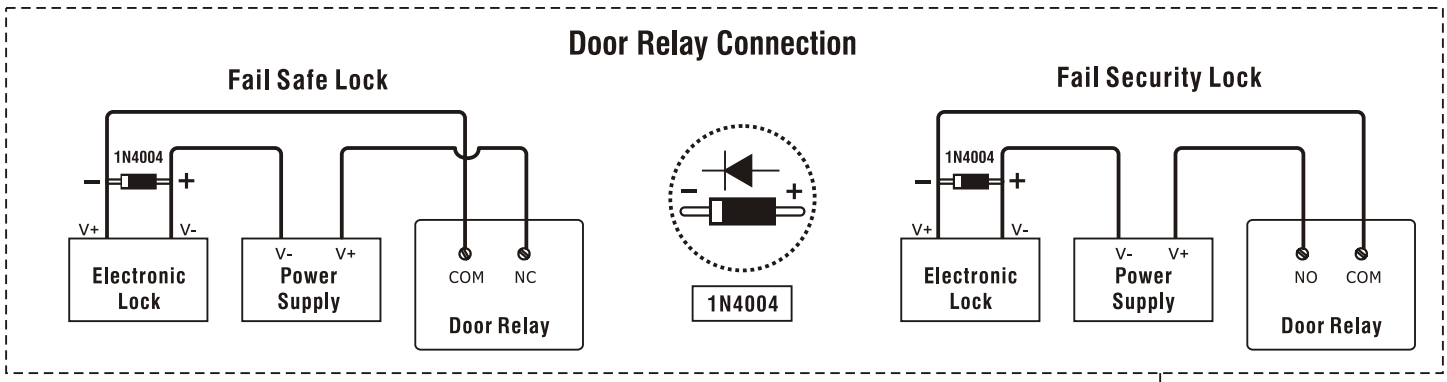
B. Installation

- Physical Dimension: 138 x 114 x 27 (mm)
- Recommended: Cable with shielded, Linear DC power supply, Network cable.
- Specifications
 - Voltage range: 9~24 VDC
 - Controller Power Consumption: 180mA (Exclude external device power consumption)
 - Power recommend: 1A (Includes relay expansion module and an external reader device power consumption)
 - Please do not exceed 300mA for external wiegand reader
 - Max distance for wiegand is 80M
- Notice
 - Do not connect other cables to the power unit except power contacts.
 - Do not apply any unverified power supply to the unit. (Might cause hardware damage and system unstable)
- Optional
 - Chassis Size 225 x 285 x 85 (mm)
 - Relay Expansion Module



C. Structure





D. Wiring Diagram

