

### J6 CONNECTOR

- 1) BROWN —————
- 2) RED —————
- 3) ORANGE —————
- 4) YELLOW —————
- 5) GREEN ————— +12V SUPPLY
- 6) BLUE ————— 0V
- 7) NC (Not in Use)
- 8) VIOLET ————— NC1
- 9) GREY ————— COM1
- 10) WHITE ————— NO1
- 11) BLACK ————— +12V out
- 12) PINK ————— PUSH BUTTON
- 13) DARK GREEN ——— DOOR SENSOR

### External Reader

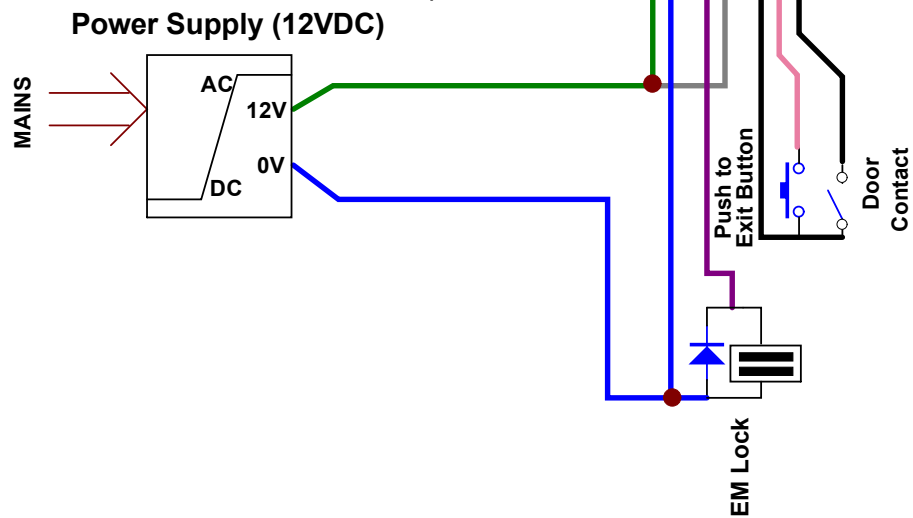
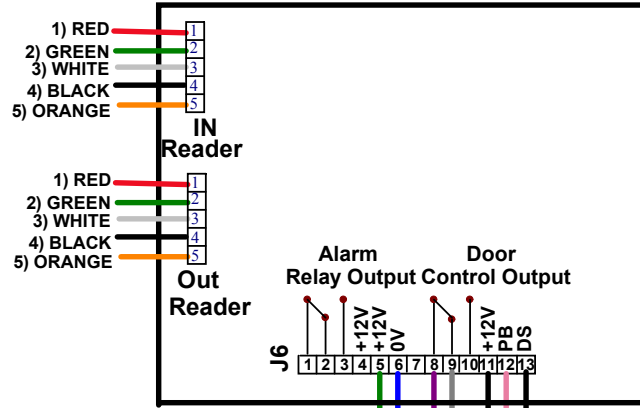
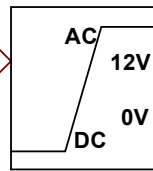
- 1) RED ————— 12V
- 2) GREEN ————— D0
- 3) WHITE ————— D1
- 4) BLACK ————— Gnd
- 5) ORANGE ————— LED0

ELECTRIC LOCK RELAY

## MX25D

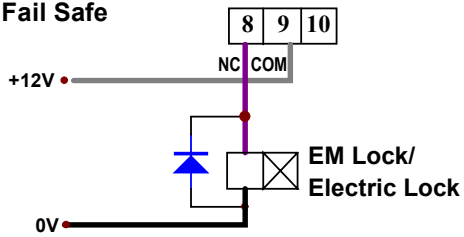
### Power Supply (12VDC)

MAINS

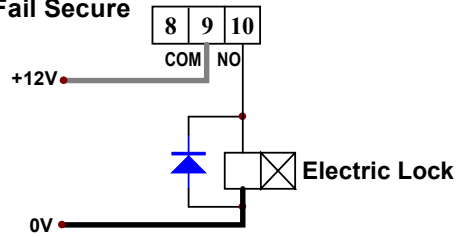


### EM Lock / Electric Lock Wiring

#### Fail Safe



#### Fail Secure



Title			
<b>MX25D</b>			
Size	Number	Revision	
A4	<b>1</b>	<b>1</b>	
Date:	1/4/2016	Sheet of	1 OF 1
File:	C:\Users\...\wiringMX55D1.SchDoc	Drawn By:	Darma