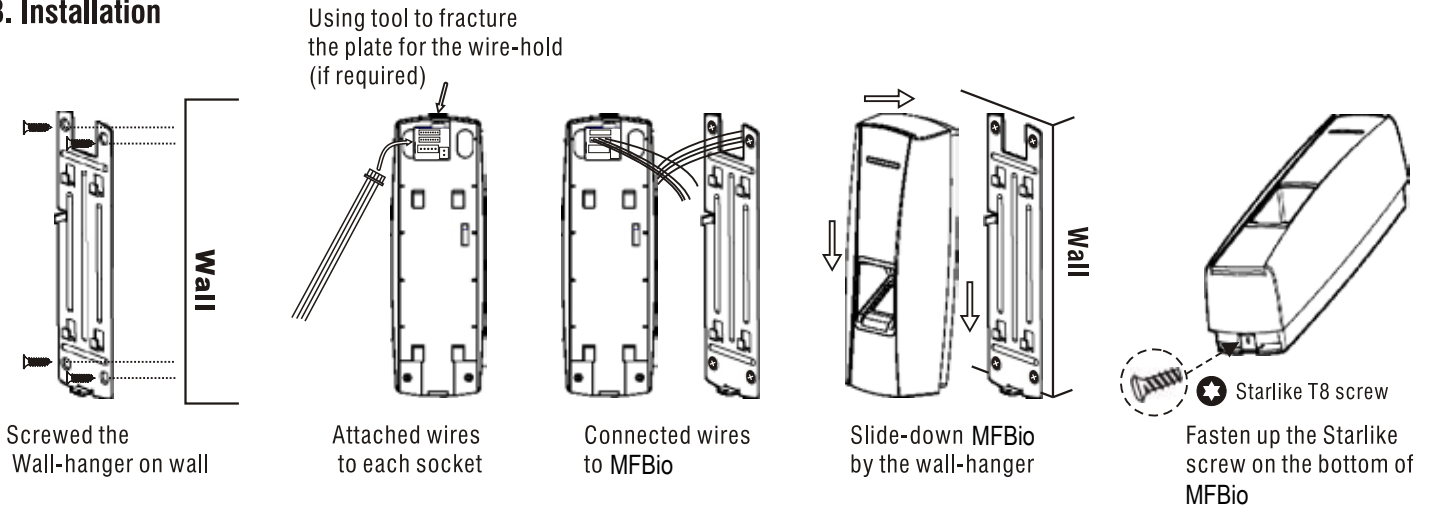


A. BioSense package contents

■ MFBio x1, Wall-hanger x1, Installation guide x1, L-shape screw driver x1, Accessories kit x1

Accessory kit : including Wall plug x4, Fasten screw x4, 1N4004 x 1
8-Pin wire x1, 9-Pin wire x1, 2-Pin wire x1, RJ-45 cable x1

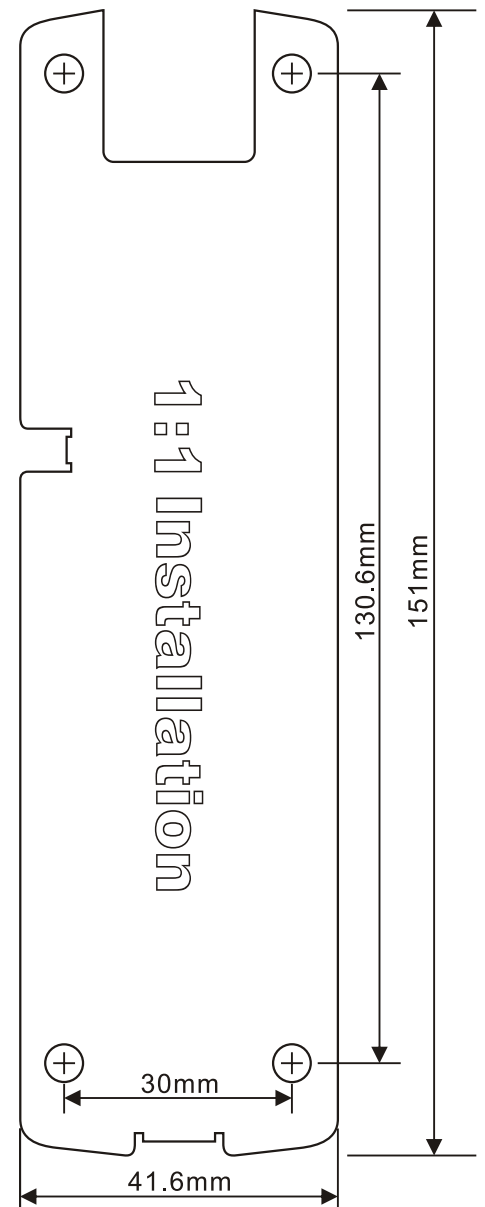
B. Installation



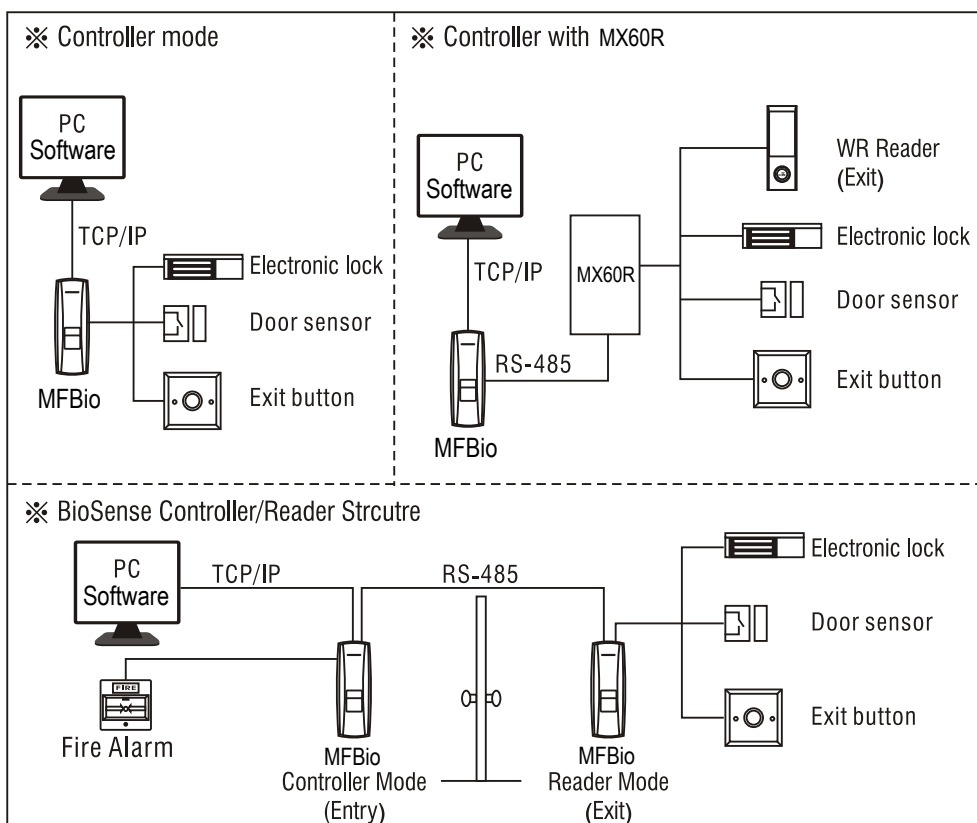
C. Specifications

- Dimension : 160 x 56.9 x 40.1 (mm)
- Wire : RVSP type is recommended for RS-485
- Power consumption and current : DC 9~24V/ 1A
- Wiegand communication : up to 80 meters
- RS-485 communication : up to 1000 meters
- RJ-45 communication : up to 100 meters

D. Wall-hanger size

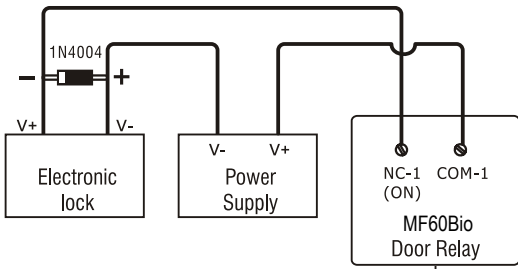


E. Structures

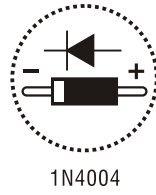
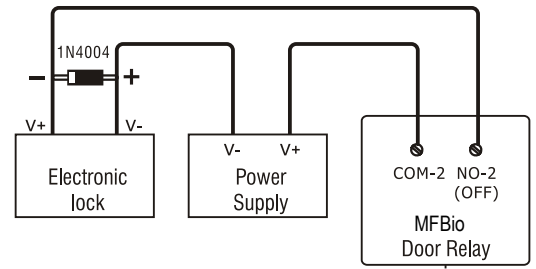


Door Relay Connection

• Fail-Safe Lock

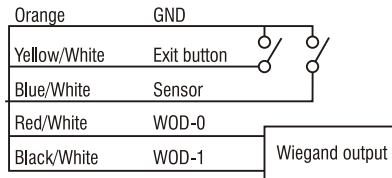
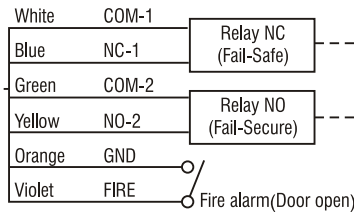
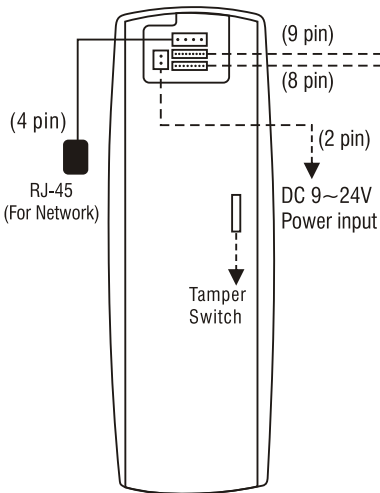


• Fail-Secure Lock



F. Wiring definition

※ Controller Mode



Based on lock types to select connecting relay COM-1 or COM-2

G. Wires Description

9 pin

COM-1	White	Relay NC
NC-1	Blue	Relay NC
COM-2	Green	Relay NO
NO-2	Yellow	Relay NO
GND	Orange	Ground
N/A	Green/White	Keep
N/A	Violet/White	
OUTPUT	Yellow/Black	Reserved output (TTL 5V)
FIRE	Violet	Fire alarm input

4 pin

4 pin color	RJ-45 cable color
Yellow	Green
Green	Green/White
Red	Orange
Black	Orange/White

2 pin

VIN-	Black	Power input DC 9~24V(1A)
VIN+	Red	

8 pin

485 -	Gray	RS-485 -
485 +	Brown	RS-485 +
FGND	Orange	RS-485 Ground
WOD-0	Red/White	Wiegand Output
WOD-1	Black/White	
GND	Orange	Ground
Button	Yellow/White	Button
Sensor	Blue/White	Sensor

Default is controller mode.
For reader mode, please go to MFBio web
(terminal setup) and change it.

※ Controller + Reader Mode (MFBio Controller/Reader Strcutre)

