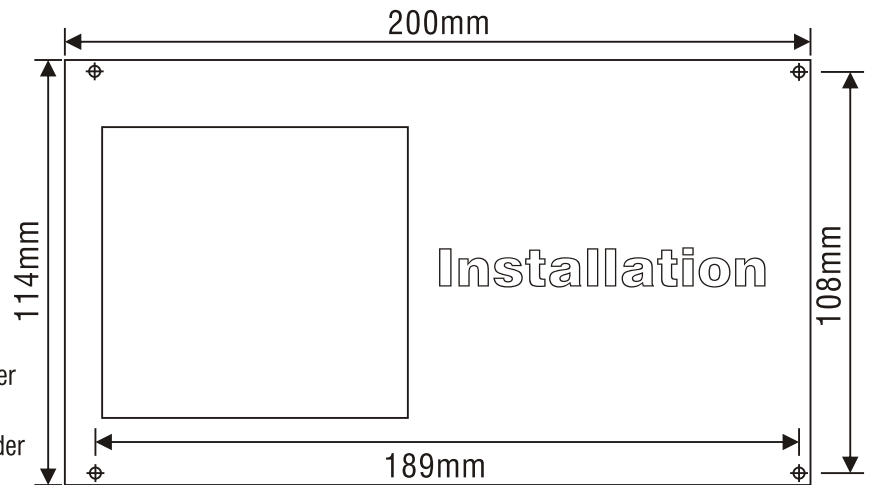


A. Package content

- Controller X 1, CD x 1, Warranty card X 1, Installation Guide X 1
- Accessory kit X 1 (Screw X 4, Spacer X 4, 1N4004 X 2), Wiring sticker x 1

B. Installation

- Physical Dimension: 200 x 114 x 27 (mm)
- Recommended: Cable with shielded, Linear DC power supply, Network cable.
- Specifications
 - Voltage range: 9~24 VDC
 - Controller Power Consumption: 220mA (Exclude external device power consumption)
 - Power recommend: 1.5A (Includes relay expansion module and an external reader device power consumption)
 - Please do not exceed 300mA for external wiegand reader
 - Max distance for wiegand is 80M



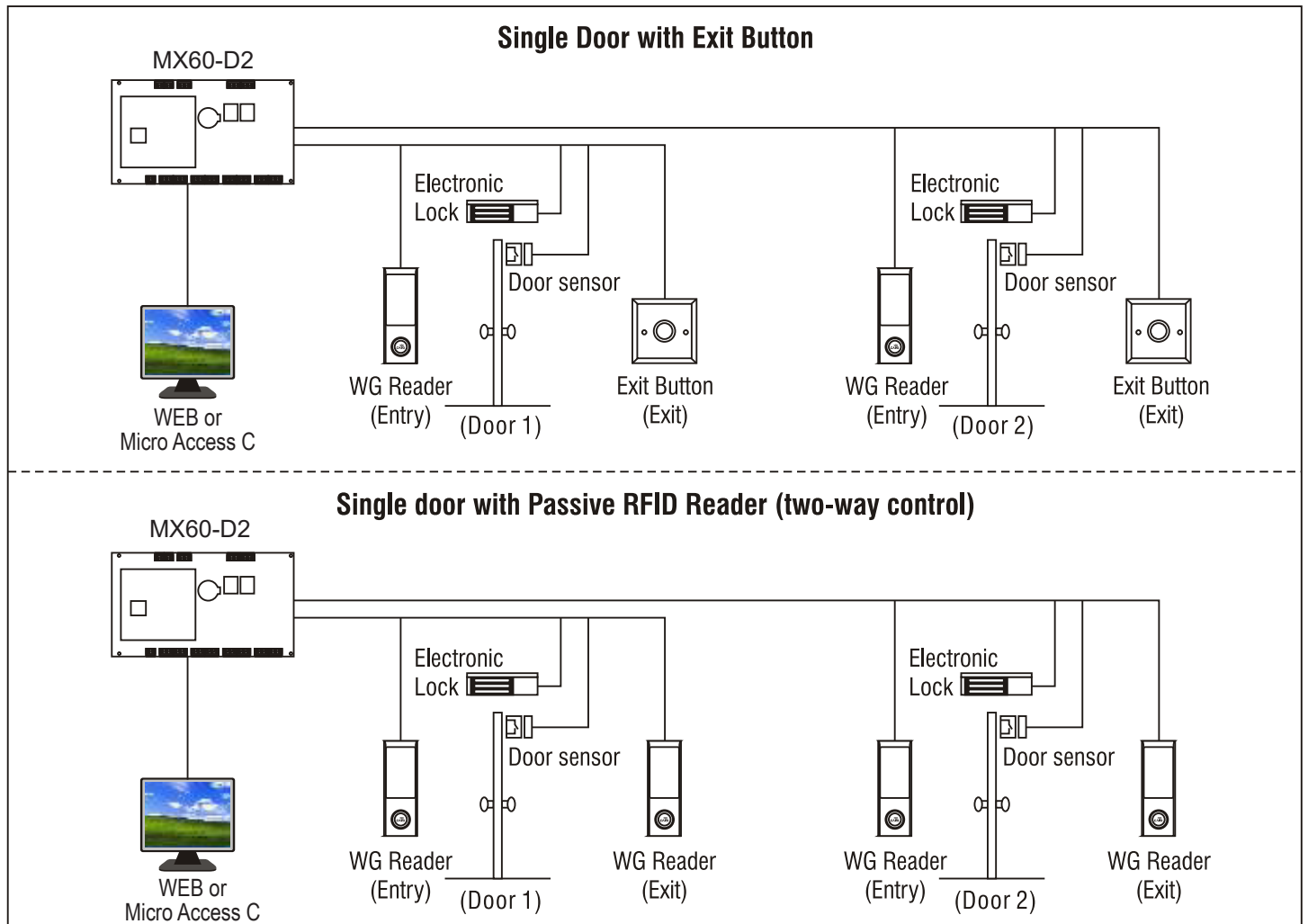
■ Notice

- Do not connect other cables to the power unit except power contacts.
- Do not apply any unverified power supply to the unit. (Might cause hardware damage and system unstable)

■ Optional

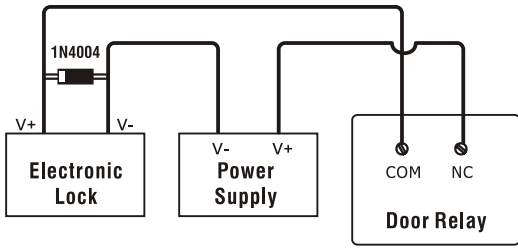
- Relay Expansion Module

C. Structure

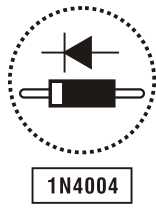
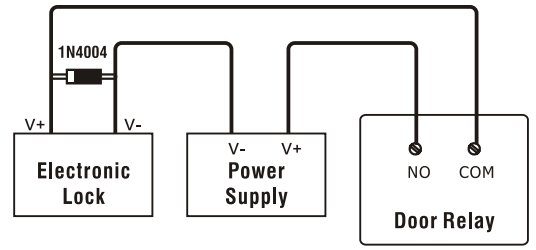


Door Relay Connection

Fail Safe Lock



Fail Security Lock



D. Wiring Diagram

