



## MX2 Access Control System



MX2 is an advanced integrated access control system that offers a high level of security, centralized administration and flexible control over who has access to your building and when. MX2 can control hundreds of doors across multiple sites for up to 20,000 users. Besides that, MX2 also provides basic time attendance, car park system, patrol management and meal allowance system.

Training requirements for the system users are minimal; a new administrator can be fully competent in less than two hours of training. Access permission can be set individually, allowing and denying access to doors within specific time frames. Users can be added or barred from the system within seconds. Each access event is recorded in the event log; these can be viewed 'live' from the events screen or from a generated report.

MX2 is designed to provide users and installers with a system that is easy to use, install and maintain. The controller's stylish design is suitable for residential and commercial buildings.

### Door Access Features

#### Multi-door Interlocking

Support 2/4 doors interlocking.

All doors are normally closed and lock. Opening any door causes the other doors to lock until the opened door returns to closed position.

The first door must be completely closed after granting the access in order for the user to be granted access on the second door.

Normally use for dark room, clean room, X-ray or other treatment room.

#### Remote control to open / close door

Online remote door open, force the door to be normal open or normal close status, and adjust the door open time from software.

#### Time profile setting

255 personalized time slot control, you can define an individual can enter into some of doors in some specified date and time.

#### Multiple badges access

Allow multiple card from different group to badge together to open the door.

#### Anti-pass back / Anti-duress support

Antipassback is to prevent the card holder from passing his card to another person to gain entry into the same controlled area. Software can support both local antipassback and global antipassback.

#### Various types of the report

Reports for access, attendance, guard touring and car park can be export to excel format.

#### E-map support for control area

Software allow you insert graphical floor maps with configured animated icon for easy and instant tracking of door activity.

#### Real time monitoring

Real-time monitor all doors status, alarm status and access situation, and display personnel information.



## MX2 Access Control System

### Time Attendance Features

Normal shift attendance module.

Support 1 normal shift. There are two options for normal shift clocking: twice a day or forth a day.

Other shift attendance module

Support up to 99 shifts. Clocking can be twice a day, forth a day, sixth a day or eighth a day. Support roataion shift and overnight shift setting for factory environment.

Attendance Report

Report formats can be defined and exported to Excel file with filter by department, door or user.

Daily attendance reports displayed the working hours, late arrival or early out.

Statistical reports show the working hours, late arrival or early out. It also will show the number of days absent from work.

Others attendance features

Support leave, business trip and holiday setting.

Support manually hand-sign if forget to read card.

### Car Park Features

Specify car park controller

User can specify which control board use as car park system.

User access setting

Access permission can be set individually, allowing and denying access to car park within specific time.

Users can be added or barred from the system within seconds.

Real time monitoring

Each access event is recorded in the event log; these can be viewed 'live' from the events screen or from a generated report.

Car park report

Detail reports can be filter by time, department, user.

Report can be exported to Excel file, user can customize the print format and save the format.

### Guard Patrol Features

Flexible petrol time setting

User can set normal patrol time, early or late patrol time and missing patrol.

Specify patrol guard, check point, route and tasks

User can specify who as the guard officer, which doors as the check point, set your own route and tasks.

Patrol report

Petrol report will show patrol detail like which check point is late, early or missing.

Detail report show information of individual checkpoint such as the time reach at that checkpoint, check by which guard and follow which route.

Statistical reports can be displayed to a month (certain period), the checkpoint status either early or late.

### Meal Allowance Features

Specify meal reader, meal rules and meal period

User can specify which card reader management as canteens.

Dining rules can be set, for example, red card one time consider charges one meal or read card few times in certain time period still consider one meal charge.

User can set meal time periods and the charges for each meal for breakfast, lunch, dinner or supper.

Meal report

Statistical report show the total number of meal taken and total amount charges.

Detail reports count each person's meal times, total meal times and total amount.



# MX2 Network Access Controller

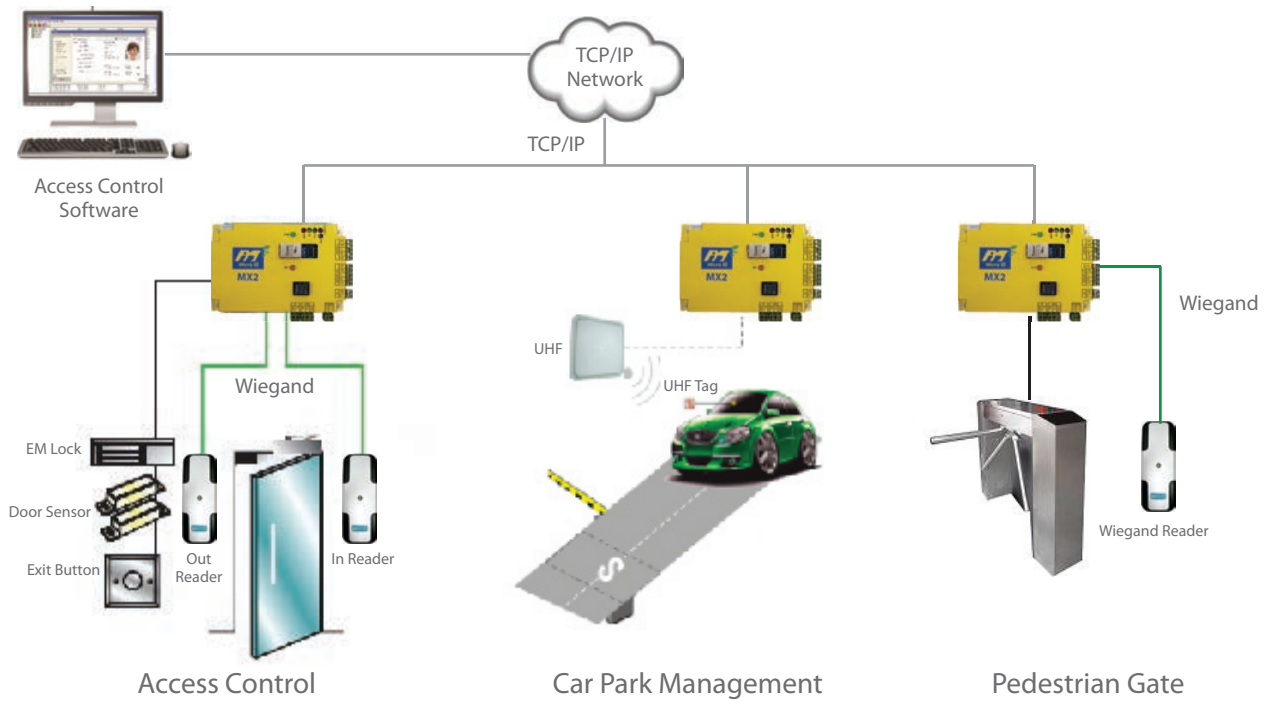


- Manage 1 door 2 way / 2 doors 2 ways / 4 doors 1 way
- Built-in relays for door lock/exit button /door sensor
- Direct 12 VDC operation
- Up to 20,000 user cards holders capacity
- Store up to 100,000 events history
- Economic solution for RFID card access control site
- Special software provide extra module for:
  - Door Access module
  - Patrol Module
  - Time Attendance module
  - Meal Allowance Module
  - Car Park Module
  - Meeting Sign module
- Special access control features like:
  - Inter-locking
  - Anti-passback
  - First card unlock
  - Multi-card access
- Connect to PC software by TCP/IP
- Integrated with Fingerprint reader to install up to 1,000 finger

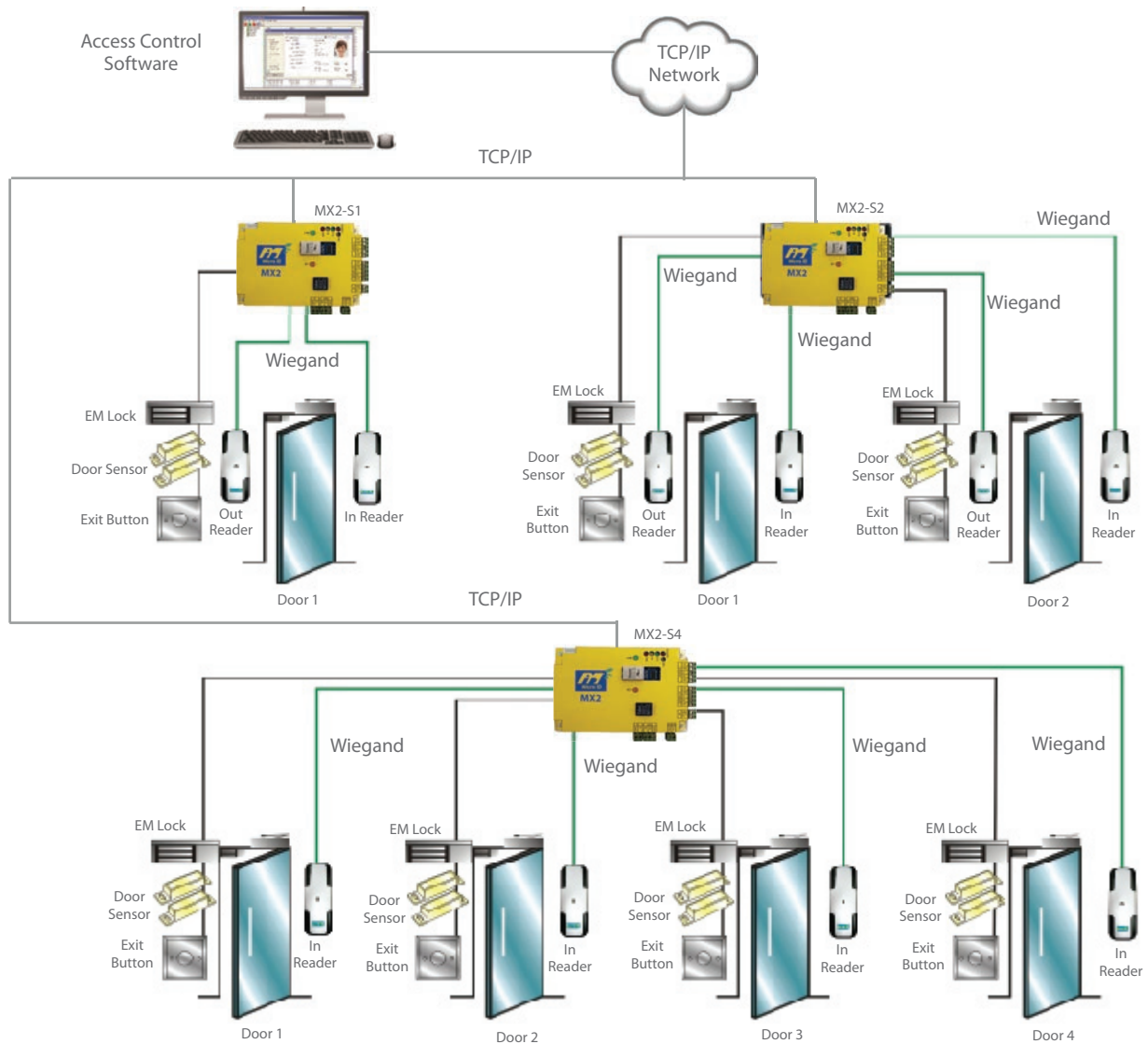
### Specification:

Model	MX2-S1	MX2-S2	MX2-S4
Communication	TCP/IP 10M/100M	TCP/IP 10M/100M	TCP/IP 10M/100M
Description	Control 1 door - in and out by swiping card, or in by swiping card and out by button	Control 2 doors, in and out by swiping card, or in by swiping card and out by button	Control 4 doors, in by swiping card, and out by button
Power Supply	12VDC 4-7A		
Input Format	Wiegand 26 Only		
Quantity Readers	2 pcs	4 pcs	4 pcs
Quantity Relay Output	1 pc	2 pcs	4 pcs
Door Opening Time	1-600 seconds (adjustable)		
Maximum Controller	255		
Work Temperature	- 10 C~70 C		
Operation Humidity	10-90%		
Capacity	20,000 Users; 100,000 event buffers		
Operation Mode	Card, PIN, Card + PIN		
Inter-locking	No	Yes	Yes
Max. Distance to PC	TCP/IP: <100m		
Max. Distance to Reader	10-30 meters (subject to site condition and cable)		
Special Door Access Features	Force door open alarm		
	Fire detector and activate alarm function		
	First card unlocking		
	Multi-card Access		
	Anti-passback		
Sales Code	XL-MX02-S01-SW1	XL-MX02-S02-SW1	XL-MX02-S04-SW1

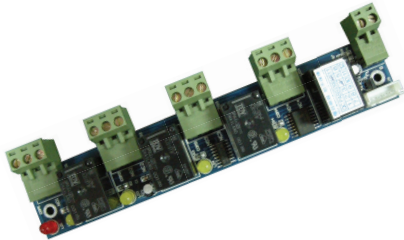
# MX2 Applications



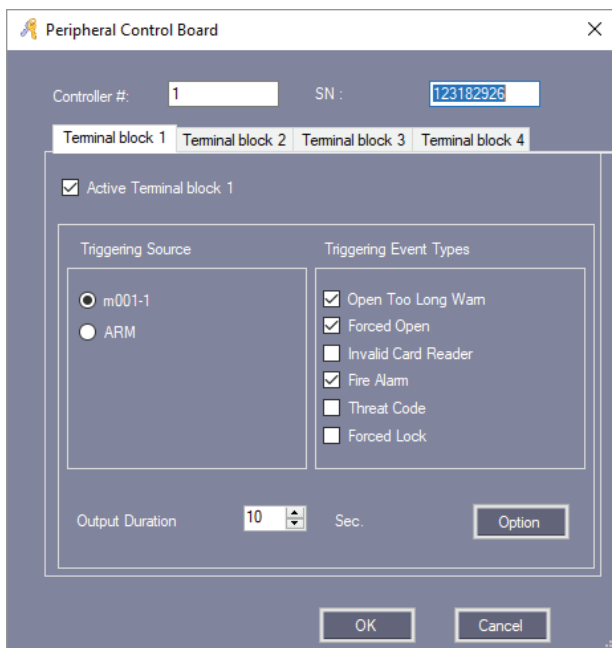
## MX2 Access Control Layout Diagram



MX2 Expansion I/O board is an additional module for link MX2 controller to fire alarm integration. It can be connect to fire alarm panel. After receiving the fire signal, it will automatically open all the doors and generate a fire alarm record in software. Besides that, it also can used to trigger siren when there is force door open or door open too long.



- Built-in with 1 sensor input and 4 relay output.
- User need to enable the Peripheral Control Setting from Extended function to setup the MX2 expansion board.
- Different event types can be set to trigger different output.
- Event types: door open too long, force door open, invalid card swipe, fire alarm, threat code and permanent door lock.
- Realy output duration can set from 0-6000 seconds and 3 types of output options can be select.
- Input sensor can be also connect to fire alarm panel. When fire signal received, all doors will open automatically and fire alarm will be recorded.



### Option

- Output remains active for ther Output Duration Time.
- Output remains active for ther Output Duration Time and Trigger Event is reset.
- Output remains active until Trigger Event is reset.

### Layout Diagram

