

BF-1010

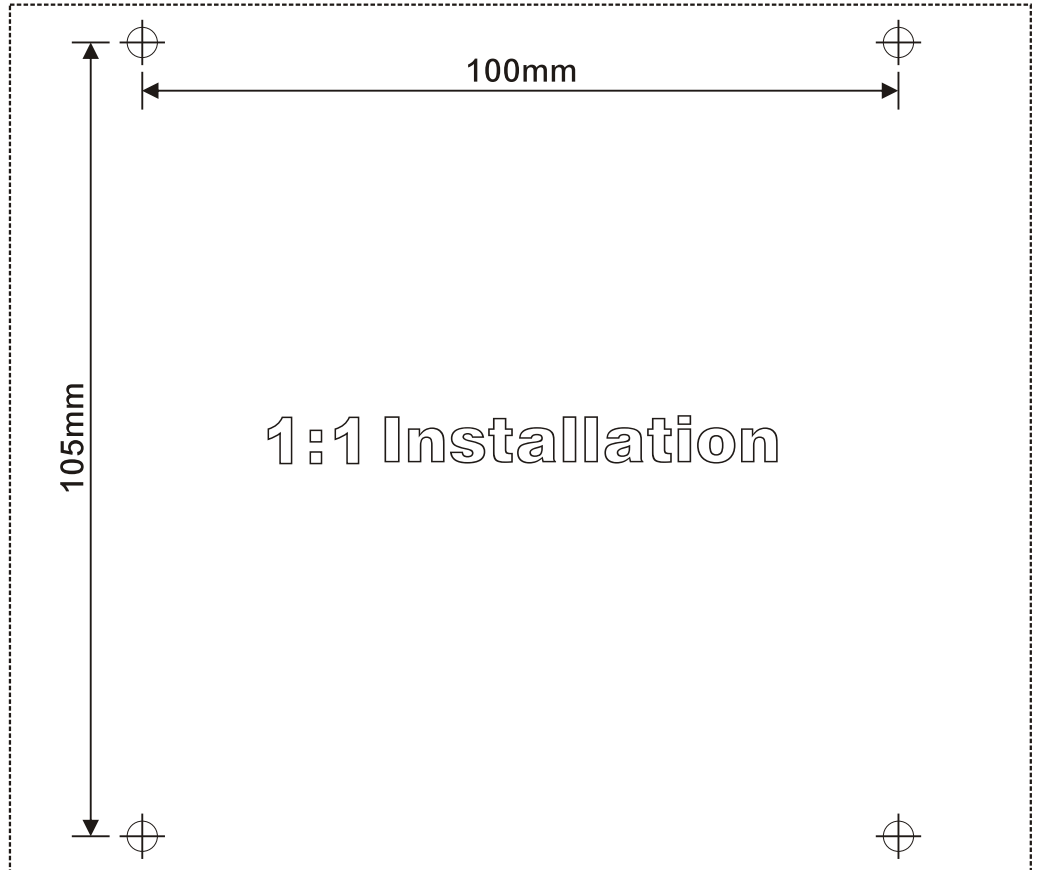
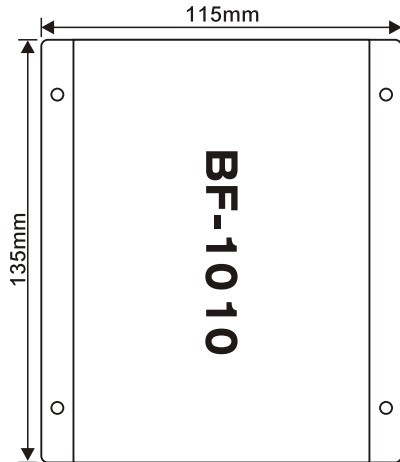
V1.0

INSTALLATION HW 1.0

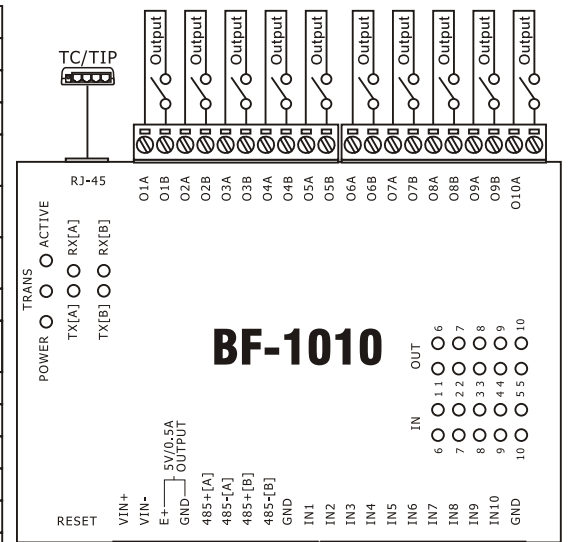
A. Package content

- Installation Guide X 1
- Accessory kit X 1
(Plastic screw X 4, Fastening screw X 4)

B. Specification



| Item | Specification |
|--------------------------|--|
| CPU | 16 bit CPU, 100MHz |
| Memory | 512 KB ROM & 1MB SDRAM |
| Interface | Web based interface |
| Input | 1. 10 digital input ; 2. Terminal block for interworking ; 3. Optocoupler isolation: 2,500V(DC) ; 4. Voltage overload protection: 70V (DC) |
| Output | 1. 10 digital output ; 2. Terminal block for interworking ; 3. Optocoupler isolation: 2,500V(DC) ; 4. Built-in Relay (Made in Japan): DC:30V, 1A |
| Ethernet | 1. One RJ-45 port ; 2. 10/100 Base-T Full/ Half duplex support ; 3. Auto-crossover detecting |
| RS-485 | 1 - 2 RS-485 ; 2 - Terminal block for interworking |
| LED indicator | 1. Power - 2. Network - 3. 2 RS-485 - 4. 10 digital input - 5. 10 digital output - 6. Expansion interface for data transmission |
| Power supply | DC 9 -24V , 0.5A~1A |
| ESD | Contact Discharge 4KV ; Air Discharge 8KV |
| Operating temperature | 0°C ~ 65°C |
| Operating Humidity | 5 ~ 95%RH |
| Storage Temperature | -20°C ~ 85°C |
| Weight | 525 g. |
| Dimensions (L x W x H) | 135 x 115 x 35 mm |



C. System Connection

1~10 Output Relay Action switching guide
(Need to move case)

