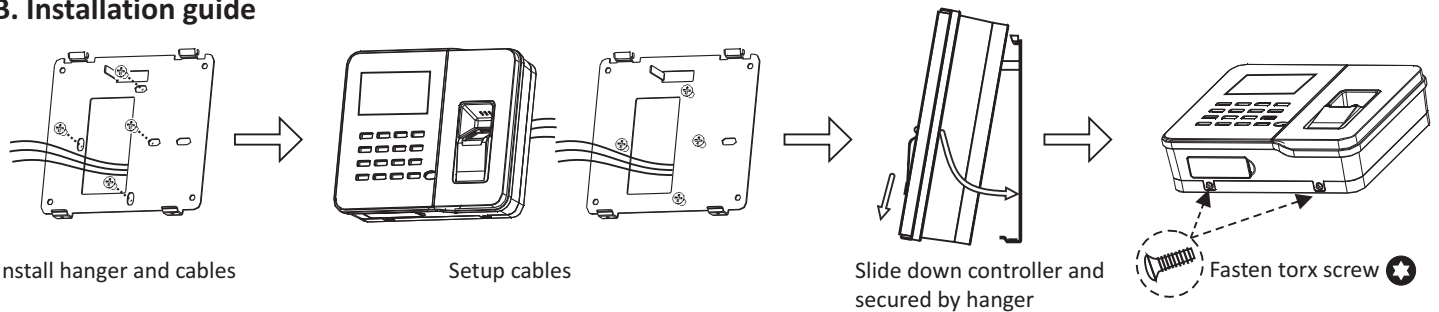


### A. Package content

- Controller x 1, wall hanger x 1, user manual x 1, kit pack x 1
- Kit pack : screw x 4, screw anchors x 4, torx screw x 2, diode (1N4004) x 1, screwdriver x 1, 9 pin cable x 1, 8 pin cable x 1, 3 pin cable x 1, 2 pin cable x 1

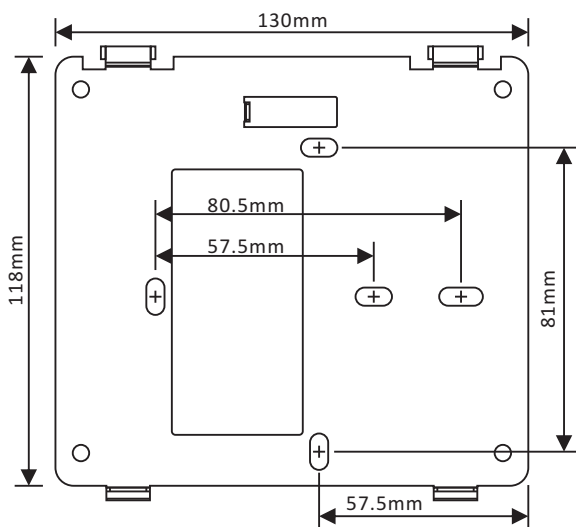
### B. Installation guide



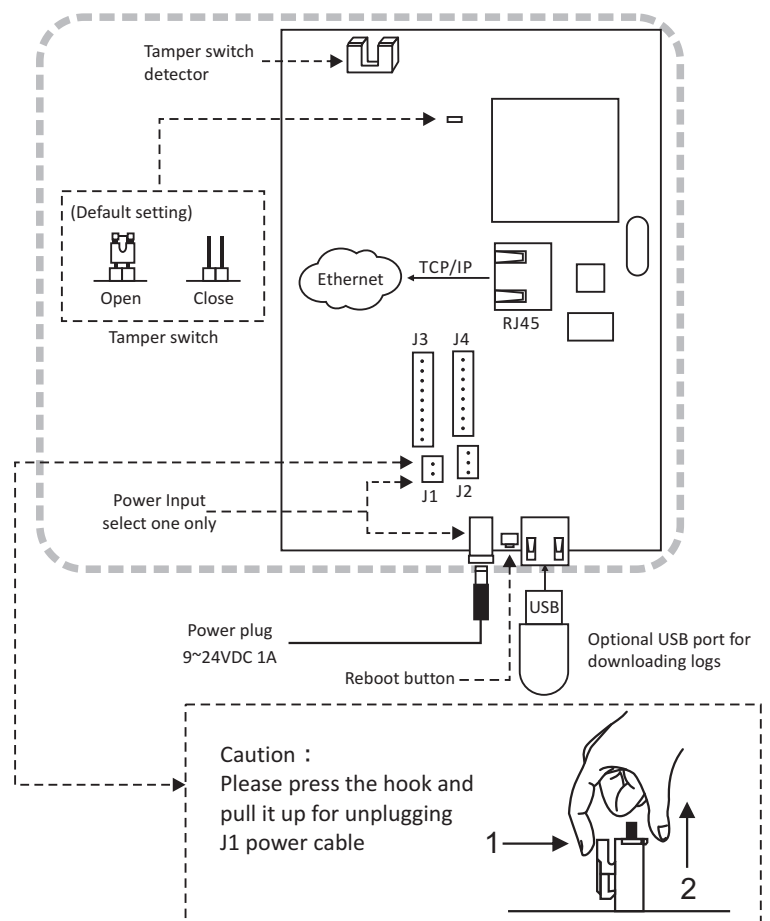
### C. Specification

- Dimension : 160.2 x 140.2 x 46.7 mm
- Voltage range : 9 ~ 24 VDC
- Current : Max 1A
- Wiegand range : Max 80M
- TCP/IP range : Max 100M (add hub to extend)
- RS485 range : Max 1000M
- Recommend RVSP shielded twisted pair RS485 cable

#### ■ Back cover dimension



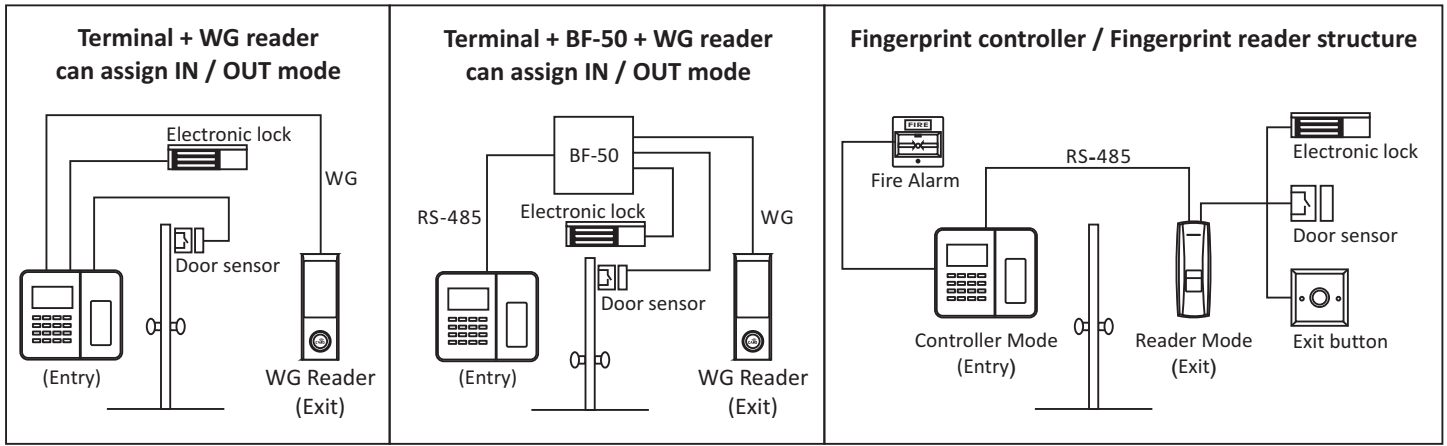
### D. Controller introduction



### E. Enter administrator mode guide :

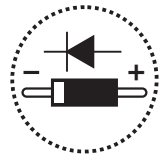
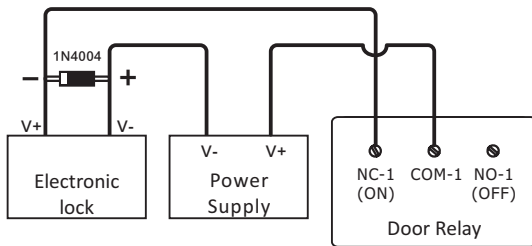
- Press F1 + F1 → enter default password 111111 → press # ( Yes = # ; No = \* )
- Add user  
Advance setup → user → add user single / continuous → enter UID → register card if any → register fingerprint if any → register password if any
- Delete user  
Advance setup → user → delete user → present card or enter UID → press #
- Setup IP address  
Advance setup → setting → IP config → enter IP / subnet / gateway
- Setup date&time  
Advance setup → setting → date & time → enter time HH/MM/SS (24hr) → press # → enter date YY/MM/DD (ex : 2010/6/30) = 100630 → press #

## F. Application structure



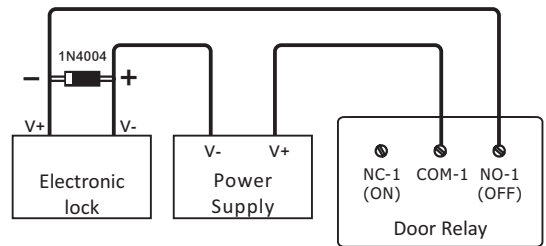
## Electronic lock and door relay connection

### • Electronic Lock Fail Safe mode

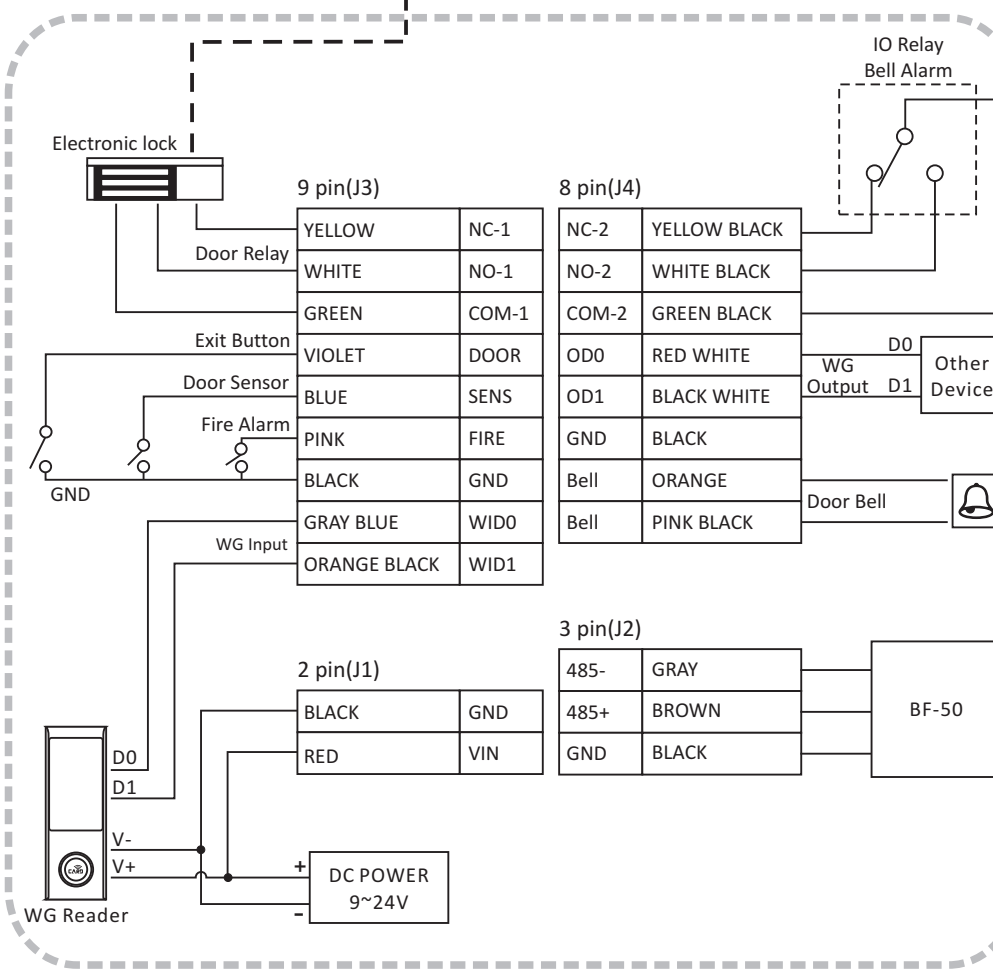


diode (1N4004)

### • Electronic Lock Fail Secure mode



## G. Cable diagram



## H. Cable description

### 9 pin(J3)

|       |              |             |
|-------|--------------|-------------|
| NC-1  | YELLOW       | Door Relay  |
| NO-1  | WHITE        |             |
| COM-1 | GREEN        |             |
| DOOR  | VIOLET       | Exit Button |
| SENS  | BLUE         | Door Sensor |
| FIRE  | PINK         | Fire Alarm  |
| GND   | BLACK        | GND         |
| WID0  | GRAY BLUE    | WG Input    |
| WID1  | ORANGE BLACK |             |

### 8 pin(J4)

|       |              |                     |
|-------|--------------|---------------------|
| NC-2  | YELLOW BLACK | IO Relay Bell Alarm |
| NO-2  | WHITE BLACK  |                     |
| COM-2 | GREEN BLACK  |                     |
| OD0   | RED WHITE    | WG Output           |
| OD1   | BLACK WHITE  |                     |
| GND   | BLACK        | GND                 |
| Bell  | ORANGE       | Door Bell           |
| Bell  | PINK BLACK   |                     |

### 3 pin(J2)

|      |       |                     |
|------|-------|---------------------|
| 485- | GRAY  | For Relay Box BF-50 |
| 485+ | BROWN |                     |
| GND  | BLACK |                     |

### 2 pin(J1)

|     |       |                           |
|-----|-------|---------------------------|
| GND | BLACK | Power Input 9 ~ 24 VDC 1A |
| VIN | RED   |                           |

## ■ Note :

- Door sensor mode default as N/A (can log into device's WebServer to enable it)  
WebServer → door setup → door sensor mode → select normal
- When connecting wiegand reader, please short wiegand reader's GND with terminal