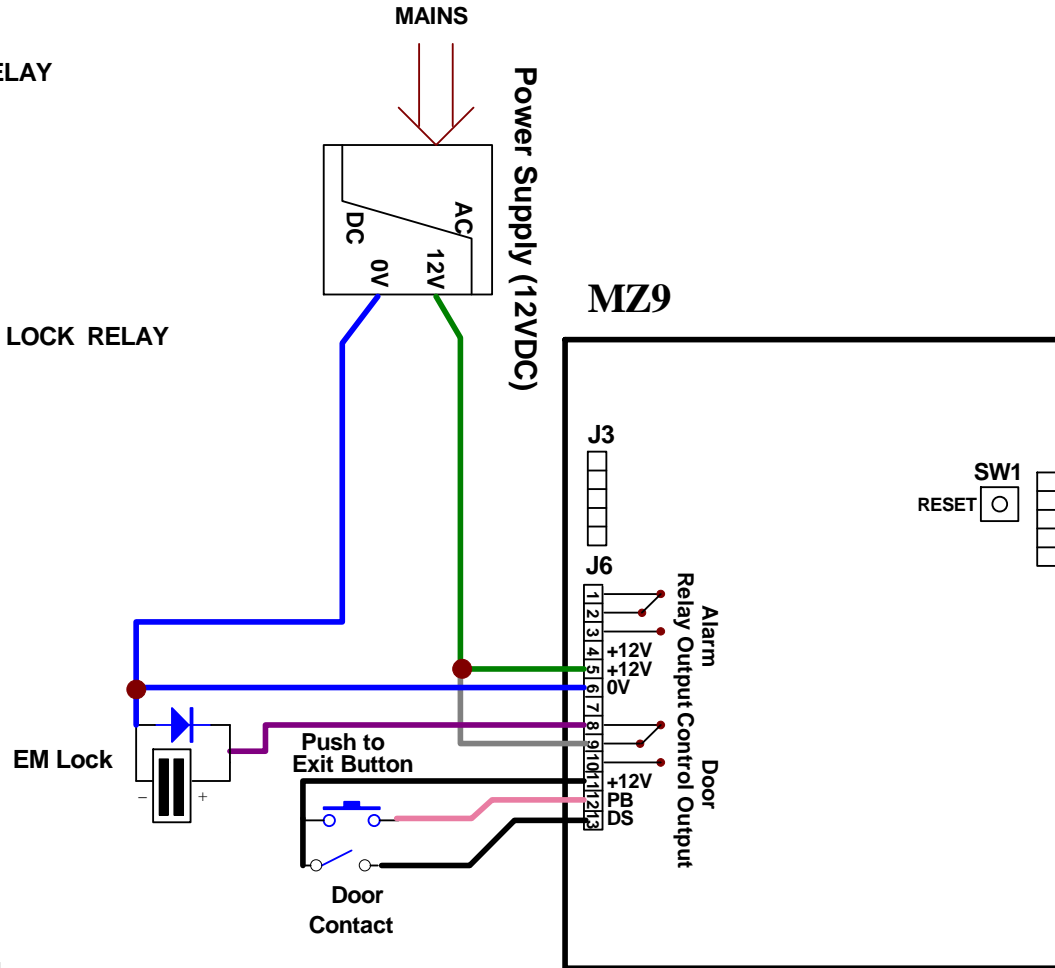


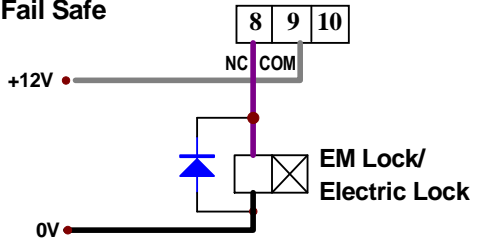
J6 CONNECTOR

- 1) BROWN — NC2
- 2) RED — COM2 — ALARM RELAY
- 3) ORANGE — NO2
- 4) YELLOW — 12V out
- 5) GREEN — +12V SUPPLY
- 6) BLUE — 0V
- 7) NC (Not in Use)
- 8) VIOLET — NC1
- 9) GREY — COM1 — ELECTRIC LOCK RELAY
- 10) WHITE — NO1
- 11) BLACK — +12V out
- 12) PINK — PUSH BUTTON
- 13) DARK GREEN — DOOR SENSOR

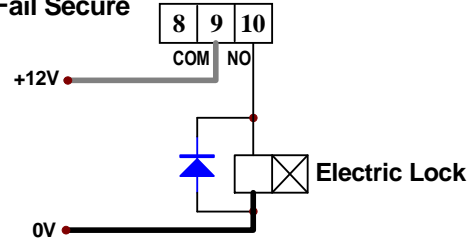


EM Lock / Electric Lock Wiring

Fail Safe



Fail Secure



Title			MZ9		
Size	Number	Revision			
A4	1	1			
Date:	9-Aug-2011	Sheet of	1 OF 1		
File:	D:\MZ9\MZ9CON-1\MZ9CON-1\WIRING.DWG	Drawn By:	Darma		